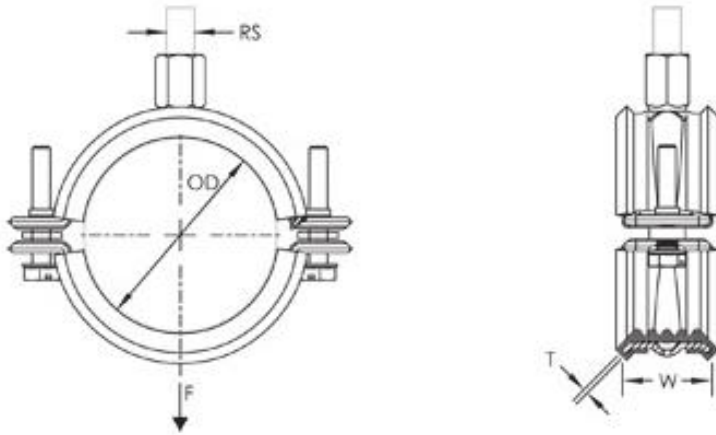


# Low-Friction Lightweight Bossed Clips

## Product Description -

Lightweight bossed pipe clips suitable for low weight, low movement pipework solutions. These lightweight clips come standard in Bright Zinc Plated, hung from the boss of the clip on one M8 / M10 rod and contain an EPDM rubber lining suitable for temperature ranges -50°C to 110°C and allow the pipe to slide through its grip.



## Product Finishes -

- Bright Zinc Plated

## BZP Steel Sizes M8 / M10-

Part Number	Outer Diameter OD	Pipe Size	NB/DN	Plastic Pipe Size	Width W	Thickness T	Static Load F
595035	16 mm	3/8"	10	–	30 mm	1.5 mm	1,125 N
595036	20 mm	1/2"	15	20 mm	30 mm	1.5 mm	1,125 N
595037	25 mm	3/4"	20	25 mm	30 mm	1.5 mm	1,125 N
595038	32 mm	1"	25	32 mm	30 mm	1.5 mm	1,125 N
595039	40 mm	1 1/4"	32	40 mm	30 mm	1.5 mm	1,125 N
595040	50 mm	1 1/2"	40	50 mm	30 mm	2.0 mm	1,725 N
595041	56 mm	–	–	–	30 mm	2.0 mm	1,725 N
595042	63 mm	2"	50	63 mm	30 mm	2.0 mm	1,725 N
595068	67 mm	–	–	–	30 mm	2.0 mm	1,725 N
595043	75 mm	2 1/2"	65	75 mm	30 mm	2.0 mm	1,725 N
595044	90 mm	3"	80	90 mm	30 mm	2.0 mm	1,725 N
595045	110 mm	4"	100	110 mm	30 mm	2.5 mm	2,000 N
595046	125 mm	–	–	125 mm	30 mm	2.5 mm	2,000 N
595047	140 mm	5"	125	–	30 mm	2.5 mm	2,000 N
595048	160 mm	–	–	160 mm	30 mm	2.5 mm	2,000 N